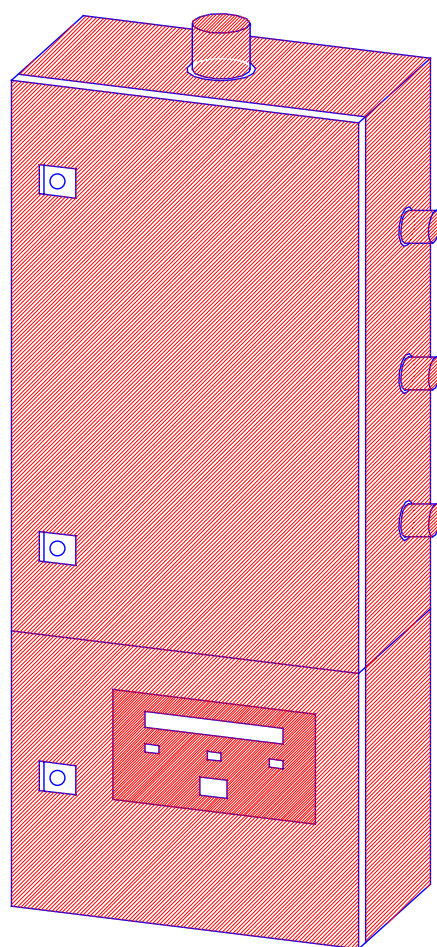


Smoke Detection System *SDS-2/6*

For Cargo Holds Onboard Ships
acc. to SOLAS Chapter II-2 Regulation 13-1



Spare Part List

safetec Brandes und Niehoff GmbH
Arenskule 7-9
D-21339 Lüneburg
Germany

Tel.: ++49 - 4131 - 34182

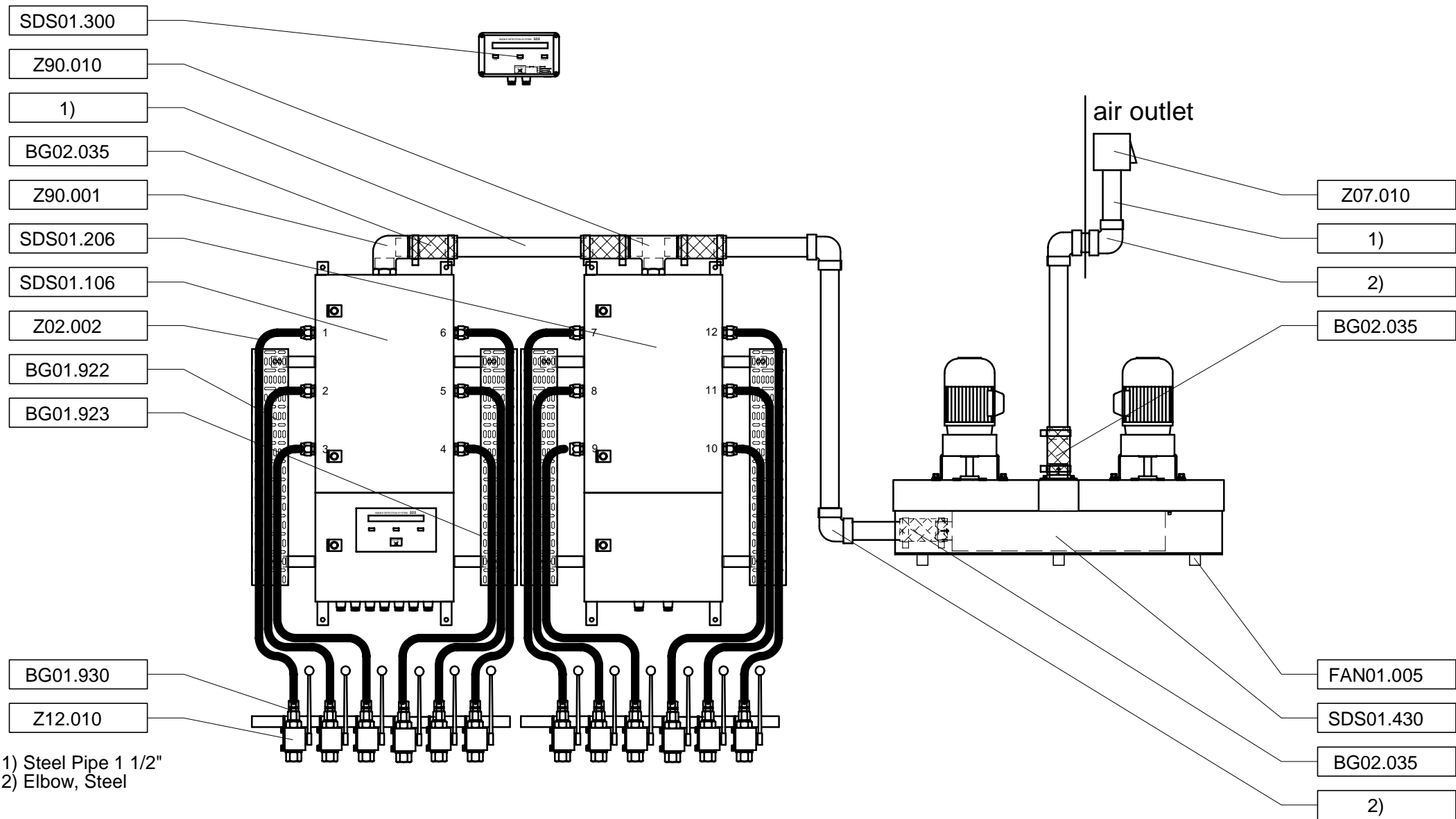
Fax.: ++49 - 4131 - 34057

E-Mail: mail@safetec-online.de

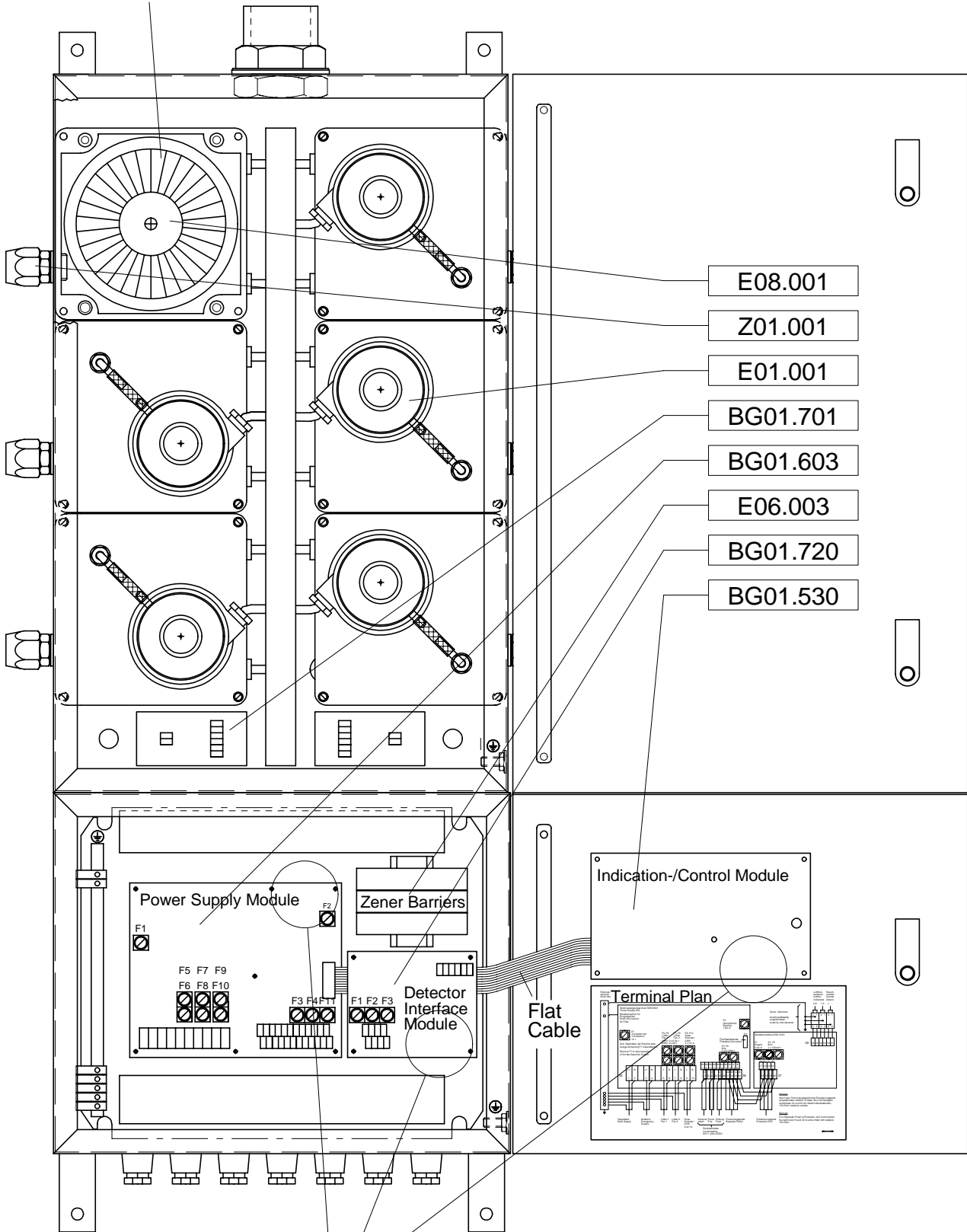
Internet: <http://www.safetec-online.de>

Contents

- Spare Parts for Smoke Detection System SDS-2/6
- Spare Parts in Detection Panels and Extension Panels
- Spare Parts in Repeater Panel
- Spare Parts in Fan Units SDS-M0420 and SDS-M0430
- Detailed List of all Spare Parts

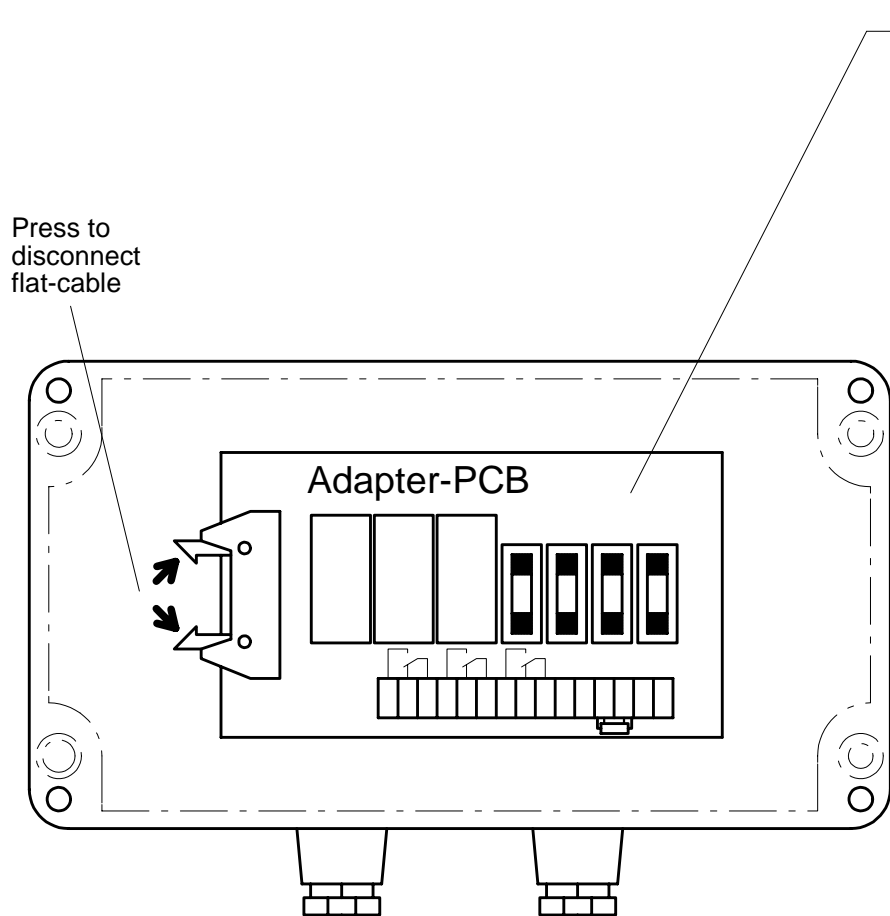


Detector Box, opened,
with Smoke Detector



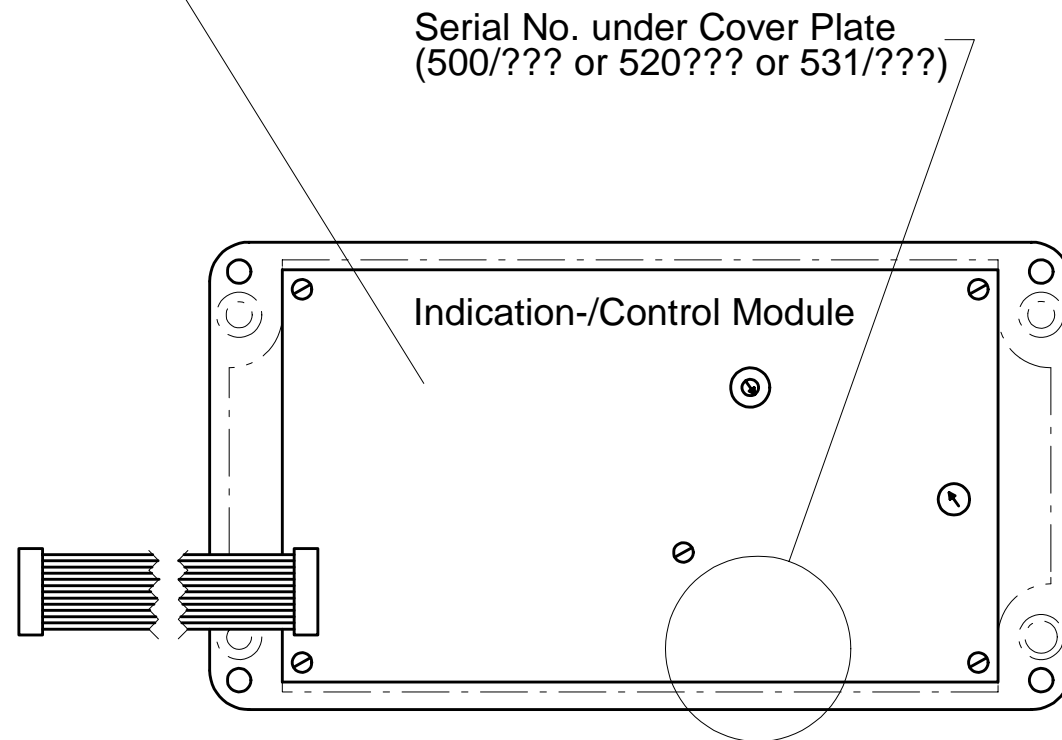
Serial No. of Indication-/Control Unit (500/??? or 520/??? or 530/???)
 Serial No. of Detector Interface Module (700/??? or 720/??? or 730/???)
 Serial No. of Power Supply Module (600/??? or 601/???)

"???" stands for the production no. For identification please indicate full serial nos.!



lower part of repeater panel, view inside

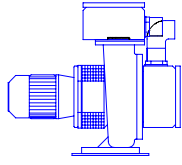
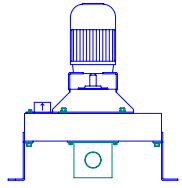
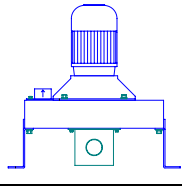
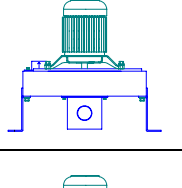
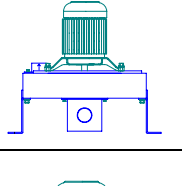
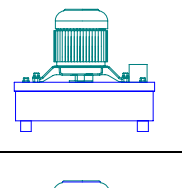
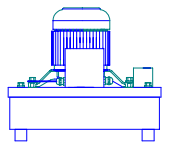
BG01.304
BG01.531



upper part of repeater panel, view inside

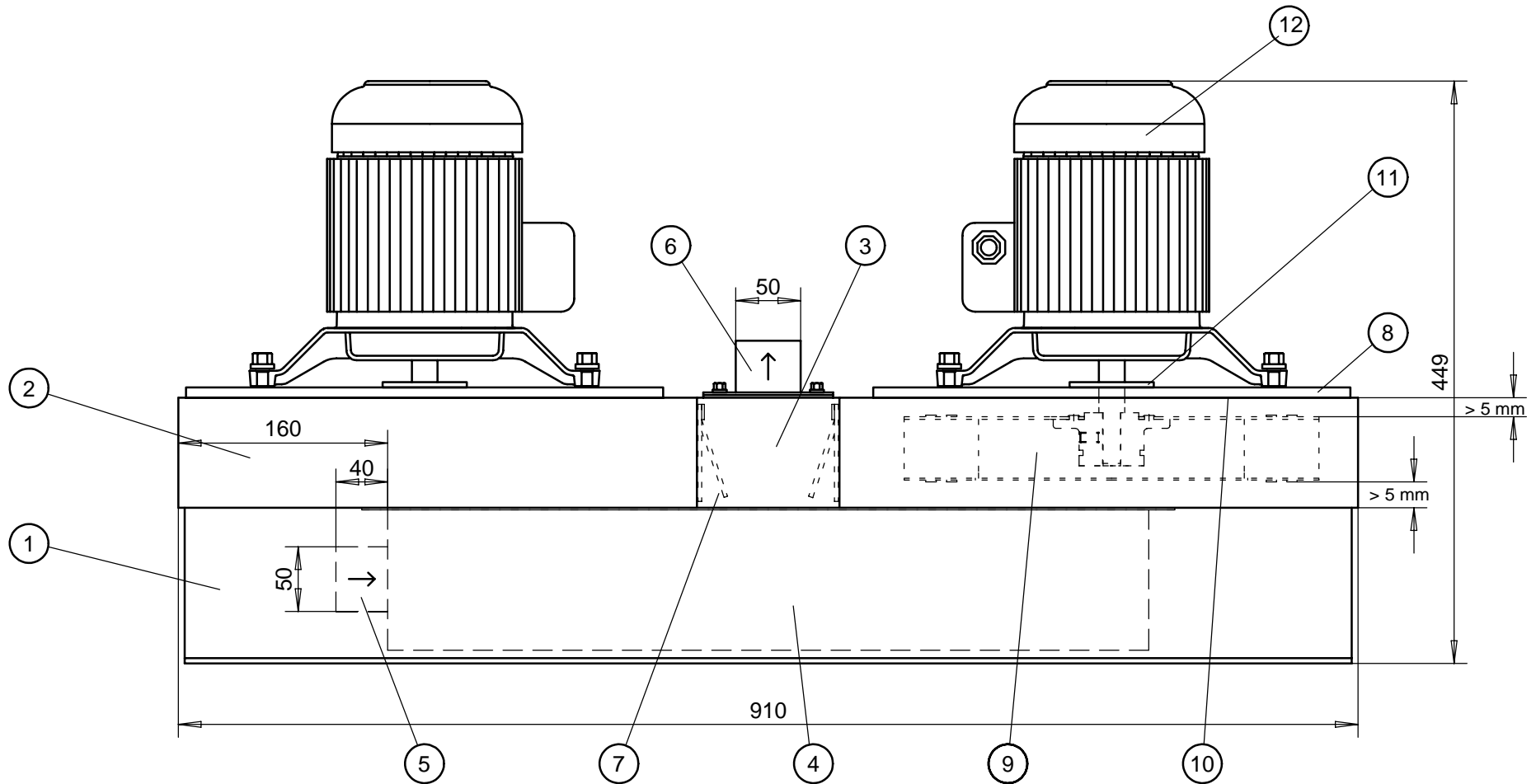
"???" stands for the production no. For identification please indicate full serial no.!

Overview: Spare Parts for **safetec** Fan Units

Type	Version (Serial Nos.)	Spares (Type, safetec Art.No.)	Layout
SDS-M0420	From 420.0010	<ul style="list-style-type: none"> • Motor: Elektor, Art.No. FAN01.002-nicht mehr lieferbar • Capacitor: Type 20µF, Art.No. FAN01.003 • <u>Alternative:</u> Hanning, Art.No. FAN02.122 (9kg) • Capacitor: Type 12µF, Art.No. FAN02.115 • V-Belt: Art.No. FAN01.006 • Impeller: Art.No. FAN02.019 • Motor Holder: Art.No. FAN02.213 • Ball Bearing: Type: 6202-2ZC3 Art.No. FAN01.004 Type: 6205-2ZC3 Art.No. FAN01.010 • <u>Alternative:</u> Module including 1 motor with holder, impeller and v-belt Art. No. FAN01.001 	Keilriemenantrieb 60kg 
SDS-M0430 230V (50kg)	Version 1: 430.0010 to 430.1530	<ul style="list-style-type: none"> • Motor: EMOD, Art.No. FAN02.100 *) • Capacitor: Type 16µF, 450V AC, Art.No. FAN02.111 • Impeller: Art.No. FAN02.004 – not available anymore. Alternative: Art.No. FAN02.015 • Motor Holder: Art.No. FAN02.003 **) • Ball Bearing: Type: 6202-2RS1 Art.No. FAN02.029 	
	Version 2: 430.1540 to 430.5290	<ul style="list-style-type: none"> • Motor: Type EMOD, Art.No. FAN02.100 *) • Capacitor: Type 16µF, 450V AC, Art.No. FAN02.111 • Impeller: Art.No. FAN02.004 – not available anymore. Alternative: Art.No. FAN02.015 • Motor Holder: Art.No. FAN02.003 **) • Ball Bearing: Type: 6202-2RS1 Art.No. FAN02.029 	
	Version 3: From 430.5300	<ul style="list-style-type: none"> • Motor: Type Hanning, Art.No. FAN02.121 • Capacitor: Type 10µF, 450V AC, Art.No. FAN02.116 • Impeller: Art.No. FAN02.015 • Ball Bearing: Type 6202-2ZC3 Art.No. FAN02.036 Type 6204-2ZC3 Art.No. FAN02.037 	
SDS-M0431 110V	431.010 to 431.160	<ul style="list-style-type: none"> • Motor: Type Hanning, Art.No. FAN02.131 • Capacitor: Type 40µF, 450V AC, Art.No. FAN02.114 • Impeller: Art.No. FAN02.015 • Ball Bearing: Type 6202-2ZC3 Art.No. FAN02.036 Type: 6204-2ZC3 Art.No. FAN02.037 	
SDS-M0440 230V	From 440.1	<ul style="list-style-type: none"> • Motor: Type Hanning, Art.No. FAN02.121 • Capacitor: Type 10µF, 450V AC, Art.No. FAN02.116 • Impeller: Art.No. FAN02.018 • Ball Bearing: Type 6202-2ZC3 Art.No. FAN02.036 Type 6204-2ZC3 Art.No. FAN02.037 	
SDS-M0441 110V	From 441.1	<ul style="list-style-type: none"> • Motor: Type Hanning Art.No. FAN02.131 • Capacitor: Type 40µF, 450V AC, Art.No. FAN02.114 • Impeller: Art.No. FAN02.018 • Ball Bearing: Type 6202-2ZC3 Art.No. FAN02.036 Type 6204-2ZC3 Art.No. FAN02.037 	

*) Motor type is not available anymore.
Alternative deliverable arrangement, comprising with
FAN02.121 + FAN02.006 + FAN02.015 + FAN02.023 + FAN02.035 + MET01.020 + MET01.021 (siehe Zng.)

***) Motor holder is not available anymore.
Remark:
Exchange of ball bearings of motor holder is complicated and hardly to be done proper without special Tools. When extracting the impeller it may come to an unbalance which may create vibrations and ball Bearing damage if not properly balanced again.
Alternative: Pre-assembled driving module, Art.No. BG01.400 comprising with 8, 9, 10, 11, 12. (12kg)



1 Befestigungswinkel
Mounting Angle

2 Laufradgehäuse
Impeller Housing

3 Sammelkanal Druckseite
Air Outlet Manifold

4 Sammelkanal Ansaugseite
Air Inlet Manifold

5 Lufteintritt / Air Inlet

6 Luftaustritt / Air Outlet

7 Rückschlagklappe
Non Return Flap

8 Abdeckplatte
Cover Plate
Art.No. FAN02.006

9 Lüfterrad / Impeller
Art.No. FAN02.015

10 Flachdichtung / Flat Sealing
Art.No. FAN02.023

11a Dichtring / Sealing
Art.No. MET01.035

11b Stützring / Ring
Art.No. MET01.020

11c Deckel / Cover
Art.No. MET01.021

11d Schraube / Screw
Art.No. V01.042

12 Motor
ab / from serial No. 430.5300:
Art.No. FAN02.121

12a Kugellager Wellenseite
Ball Bearing Shaft Side
Type 6204 2Z C3
Art.No. FAN02.037

12b Kugellager gegenüber
Ball Bearing opposite
Type 6202 2Z C3
Art.No. FAN02.036

Remark (Art.No. BG01.400):
Pre-Assembled driving-
module consisting of:
Pos. 8, 9, 10, 11, 12
for conversions from
previous to current
version.

Gültig ab Seriennummer 430.5300
Valid from Serial No. 430.5300 on

Art.No. Description Type	Remarks	Outline
<p>BG01.304</p> <p>Adapter-PCB for Repeater Panel</p> <p>System SDS-2/6</p>	<p>PCB in repeater panel with screwed terminals for cable connections and flatcable - connector for indication- / control module BG01.501. The adapter - pcb contains relays and terminals for fire, fault and general alarm as well as terminals for external buzzer.</p> <p>Dimensions: 110 x 60 x 15 mm Weight: 80g</p>	
<p>BG01.400</p> <p>Fan Module for Fan Unit SDS-M0430</p> <p>System SDS-2/6</p>	<p>includes motor, motor holder, cover plate, impeller, sealings and mounting material.</p> <p>Dimensions: 370 x 260 x 370 mm Weight: 13,3kg</p>	
<p>BG01.530</p> <p>Indication- and Control Module for Smoke Detection Panel</p> <p>System SDS-2/6</p>	<p>The indication - / control module is mounted behind the front door of the smoke detection panel. It contains LC - display, LEDs and push - button for the operation of the system. This module BG01.530 may also be replaced by the indication - / control module BG01.531. The BG01.531 has an additional automatic dimmer to reduce the brightness of the LEDs in a dark environment.</p> <p>Dimensions: 182 x 105 x 38 mm Weight: 270g</p>	
<p>BG01.531</p> <p>Indication- and Control Modul for Repeater Panel</p> <p>System SDS-2/6</p>	<p>The indication - / control module is mounted behind the front cover of the repeater panel. It contains LC - display, LEDs and push - button for the operation of the system. This module BG01.531 may also be replaced by the indication- / control module BG01.530, except that the BG01.530 has no automatic dimmer to reduce the brightness of the LEDs in a dark environment.</p> <p>Dimensions: 182 x 105 x 38 mm Weight: 270g</p>	
<p>BG01.602</p> <p>Power Supply Module, add. 24VDC Emerg. Supply</p> <p>System SDS-2/6</p>	<p>same as BG01.603, but with additional terminals for 24 VDC emergency power supply.</p>	

Spare Part List System SDS-2/6



Art.No. Description Type	Remarks	Outline
BG01.603 Power Supply Module System SDS-2/6	The power supply unit is mounted in the smoke detection panel. It contains all power connections for main and emergency supply and for the fan unit as well as fuses and terminals for relay contacts. Replaces BG01.600 and BG01.601. Dimensions: 176 x 160 x 55 mm Weight: 1200g	
BG01.720 Detector Interface Module System SDS-2/6	The detector interface module is mounted in the smoke detection panel and in the extension unit. It interfaces the smoke detectors and airflow indicators to the system bus. Dimensions: 107 x 88 x 40 mm Weight: 100g	
DOK02.021 Manual for SDS-2/6, German Version SDS-2/6	size: DIN A4 approx 50 pages weight: 330g	
DOK02.031 Manual for SDS-2/6, English Version SDS-2/6	size: DIN A4 approx 50 pages weight: 330g	
E01.001 Airflow Indicator, for SDS-2/6 or SDS-48 Type 604	The airflow indicator (pressure switch 0,2 - 3 mbar) is mounted in the upper enclosures of the smoke detection panels and extension units. The standard adjustment is 0,3 mbar. Dimensions: D=81mm H=50mm Weight: 120g	

Spare Part List System SDS-2/6



Art.No. Description Type	Remarks	Outline
<p>E06.003</p> <p>Zener Barrier Z967</p> <p>System SDS-2/6</p>	<p>The zener barriers are mounted in the smoke detection panel. Electrically they are located between smoke detectors and airflow indicators on one hand and detector interface module on the other hand to ensure intrinsically safe operation.</p> <p>Dimensions: 115 x 12,5 x 110 mm Weight: 150g</p>	
<p>E08.001</p> <p>Smoke Detector BHH-31A/Ex</p> <p>System SDS-2/6</p>	<p>The smoke detectors are located in the detector boxes of the smoke detection panel and the extension unit.</p> <p>Dimensions: 145 x 67 mm (including base) Weight: 300g</p>	
<p>E08.002</p> <p>Base for Smoke Detector BWA-40A/1</p> <p>System SDS-2/6</p>	<p>The bases for smoke detectors are located in the detector boxes of the smoke detection panel and the extension unit.</p> <p>Dimensions: D = 145 mm Weight: 300g</p>	
<p>E08.801</p> <p>Testspray for Smoke Detectors</p> <p>918/5</p>	<p>for use on close distances to test smoke detectors Content: 250 ml</p> <p>weight: 125g</p>	
<p>FAN01.001</p> <p>Fan with V-Belt for Fan Unit SDS-M0420</p> <p>HRE 1/2 T/S 458</p>	<p>Dimensions: 440 x 370 x 240 mm Weight: 12,5kg</p>	

Art.No. Description Type	Remarks	Outline
<p>FAN01.003</p> <p>Capacitor for Fan Unit SDS-M0420, Motor: Elektor</p> <p>20 µF</p>	<p>Maker of motor: Elektor 72 x 45 mm Cable: 40 cm Thread: M8</p> <p>Dimensions: D = 45; H = 120 mm Weight: 220g</p>	
<p>FAN01.004</p> <p>Ball Bearing for Fan Unit SDS-M0420</p> <p>6202 - 2ZC3</p>	<p>Location: V-belt housing (inner side)</p> <p>Dimensions: D = 35; H = 10 mm Weight: 50g</p>	
<p>FAN01.006</p> <p>V-Belt for Fan Unit SDS-M0420</p> <p>for HRE 1/2 T S 458</p>	<p>Dimensions: D = 200 mm Weight: 40g</p>	
<p>FAN01.008</p> <p>Clamp for Capacitor FAN01.003</p>	<p>Dimensions: D = 50 mm Weight: 20g</p>	
<p>FAN01.010</p> <p>Ball Bearing for Fan Unit SDS-M0420</p> <p>Type 6205 -2ZC3</p>	<p>Location: V-belt housing (outer side)</p> <p>Dimensions: D = 50; H = 15 mm Weight: 100g</p>	

Art.No. Description Type	Remarks	Outline
<p>FAN02.015</p> <p>Impeller, Alu, TL-HL 300x49-R</p> <p>for SDS-M0430/431</p>	<p>Diameter: 300 mm Weight: 920 g</p>	
<p>FAN02.019</p> <p>Impeller, Alu, for Fan Unit SDS-M0420</p> <p>Lüfter HRE 1/2</p>	<p>Dimensions: D = 250; H = 30 mm Weight: 600g</p>	
<p>FAN02.029</p> <p>Ball bearing for Fan Unit SDS-M0430, Motor: EMOD</p> <p>Type 6202-2RS1</p>	<p>for fan unit SDS-M0430 with motor type "EMOD"</p> <p>Dimesions: D = 35; H = 10 mm Weight: 50g</p>	
<p>Fan02.035</p> <p>sealing for motor shaft, for SDS02.440</p> <p>PTFE</p>	<p>Suitable for installation on FAN-unit SDS.02.440 and SDS02.441.</p> <p>Weight: 8g</p>	
<p>FAN02.036</p> <p>Ball bearing for Fan Unit SDS-M0430 / M0440</p> <p>Type 6202 2Z C3</p>	<p>for fan unit SDS-M0430 with motor type "Hanning" Location: opposite of shaft side</p> <p>Dimensions: D = 35; H = 10 mm Weight: 50g</p>	

Art.No. Description Type	Remarks	Outline
<p>FAN02.037</p> <p>Ball bearing for Fan Unit SDS-M0430 / M0440</p> <p>Type 6204 2Z C3</p>	<p>for fan unit SDS-M0430 with motor type "Hanning" Location: shaft side</p> <p>Dimensions: D = 35; H = 10 mm Weight: 50g</p>	
<p>FAN02.100</p> <p>E-Motor, 1Ph.230V,50/60 Hz, for Fan Unit SDS-M0430, Emod</p> <p>71L/2EHB0</p>	<p>Maker of motor: EMOD Electric motor for fan unit SDS - M0430 for serial nos. of fan unit 430.0010 through 430.5290 for later fan units see FAN02.121</p> <p>Dimensions: D = 150; H = 240 mm Weight: 7 kg</p>	
<p>FAN02.111</p> <p>Capacitor for Fan Unit SDS-M0430, Motor: Emod</p> <p>16 µF 450VAC</p>	<p>for fan motor art. no. FAN02.100 (serial nos. of fan unit 430.0010 through 430.5290)</p> <p>Dimensions: D = 40; H = 80 mm Weight: 100g</p>	
<p>FAN02.112</p> <p>Capacitor for Fan Unit SDS-M0440</p> <p>10 µF 450VAC</p>	<p>for Fan Motor Art. No. FAN02.121 (serial nos. of fan unit 430.5300 and higher)</p> <p>Dimensions: D = 35; H = 110 mm Weight: 100g</p>	
<p>FAN02.114</p> <p>Capacitor for Fan Unit SDS-M0441, Motor: Hanning</p> <p>40 µF 240VAC</p>	<p>For Fan Motor Art. No. FAN02.131</p> <p>Dimensions: D = 45; H = 110 mm Weight: 200g</p>	

Art.No. Description Type	Remarks	Outline
<p>FAN02.115</p> <p>Capacitor for Fan Unit SDS-M0420, Motor: Hanning</p> <p>12 µF 450VAC</p>	<p>For Fan Motor Art. No. FAN02.122</p> <p>Dimensions: D = 40; H = 80 mm Weight: 100g</p>	
<p>FAN02.121</p> <p>E-Motor, 1Ph. 230V, 50/60Hz, Hanning, for Fan Unit</p> <p>E7KC2B5-7-378</p>	<p>Electric motor for fan unit SDS - M0430 for serial nos. of fan unit 430.5300 and higher Maker of motor: Hanning Capacitor: see FAN02.112</p> <p>Diam.: 350 mm Weight: 6,1 kg</p>	
<p>FAN02.122</p> <p>Electric Motor, 1 Ph. 230V, 50/60Hz, Hanning, for Fan Unit</p> <p>E7D2B-7-390</p>	<p>Electric motor for fan unit SDS - M0420 Maker of motor: Hanning Capacitor: see FAN02.115</p> <p>Dimensions: D = 150; H = 280 mm Weight: 7 kg</p>	
<p>FAN02.213</p> <p>V-belt drive enclosure for Fan Unit SDS-M0420</p> <p>TN15782</p>	<p>Dimensions: 320 x 220 x 100 mm Weight: 2kg</p>	
<p>SDS01.910</p> <p>Spare Part Set with V-Belt</p> <p>for SDS-M0420</p>	<p>Spare part set for smoke detection system with fan unit SDS - M0420 contains:</p> <p>10 pcs fuse quick acting 125 mA 10 pcs fuse medium acting 0,4A 10 pcs fuse medium acting 1A 10 pcs fuse medium acting 1,6A 10 pcs fuse medium acting 8A 1 pc spare key for SDS 5 pcs blind gland PG16 1 pc v-belt for fan unit SDS-M0420</p>	

